



CS1215B

Car-audio subwoofer box



OWNER'S MANUAL

CS1215B

CAR-AUDIO SUBWOOFER BOX

THANK YOU for choosing a JBL® CS Series subwoofer box. This product has been designed to deliver great bass performance from a compact, easily installed subwoofer box. To get the best performance from your subwoofer box, it is strongly recommended that installation be entrusted to a qualified professional. Although these instructions explain how to install your product in a general sense, they do not show specific installation methods that may be required for your particular vehicle. If you do not have the necessary tools or experience, do not attempt the installation yourself. Instead, please ask your authorized JBL car audio dealer about professional installation. In order that you may be better served, should you require warranty service, please retain your original sales receipt and serial number.

GENERAL CARE

Do not use any cleaners or solvents on the speaker cone.

INSTALLATION WARNINGS AND TIPS

WARNING: Playing loud music in an automobile can permanently damage your hearing as well as hinder your ability to hear traffic. Listening at low levels while driving is recommended. Harman accepts no liability for hearing loss, bodily injury or property damage resulting from use or misuse of this product.

INSTALLATION TIPS

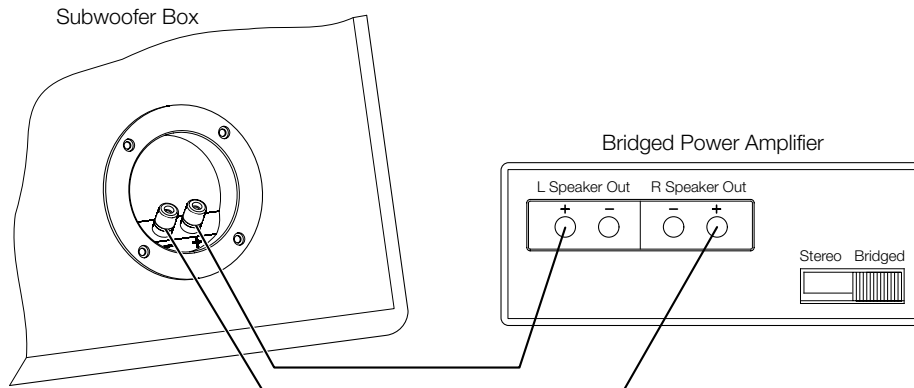
- Always wear protective eyewear when using tools.
- Turn off all audio components and other electrical devices before you start. Disconnect the (-) negative lead from your vehicle's battery.
- Check clearances on both sides of a planned mounting surface. Be sure that screws or wires will not puncture brake lines, fuel lines or wiring harnesses, and that wire routing will not interfere with the safe operation of the vehicle.
- When making electrical connections, make sure they are secure and properly insulated.
- Before drilling or cutting holes, use a utility knife to remove unwanted fabric or vinyl, to keep material from snagging in a drill bit or saw.
- Do not mount speakers where they will get wet.

CHOOSING A MOUNTING LOCATION FOR THE SUBWOOFER BOX

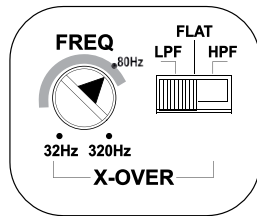
Choose a mounting location that doesn't interfere with cargo, the fold-down rear seat or the trunk lid. The best location is usually a corner of the trunk or cargo area.

CONNECTIONS

Connect the "+" and "-" terminals on the subwoofer box to the amplifier's outputs, observing proper polarity. Use at least 0.5mm² speaker wire for the connections to the subwoofer box.

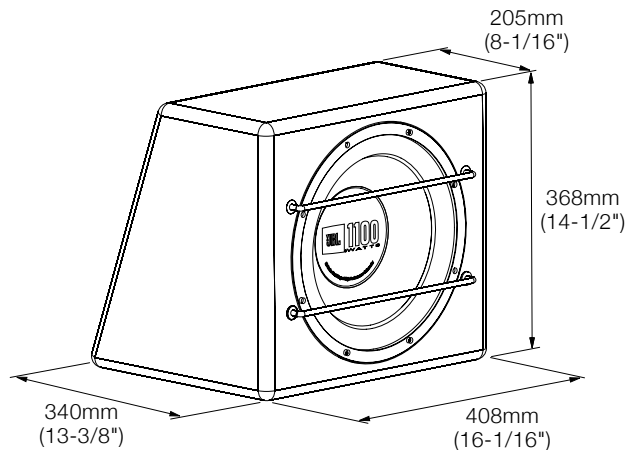


Note: We recommend a JBL amplifier to power your CS1215B. Set the amplifier's crossover to Low-Pass Filter (LPF) and set the crossover frequency to a value within the range marked in gray in the drawing below (50Hz–100Hz). For details regarding the installation of your amplifier or other amplifier settings, please consult the installation manual for your amplifier.



SPECIFICATIONS

CS1215B	Bass-reflex box
Woofer:	300mm (12")
Power handling, RMS:	275W
Power handling, Peak:	1100W
Sensitivity (2.83V/1m):	90dB
Frequency response:	35Hz – 200Hz
Impedance:	4 ohms
Dimensions:	



Features, specifications and appearance are subject to change without notice.
 This product is designed for mobile applications and is not intended for connection to the mains.
 A valid serial number is required for warranty coverage.

Designed and engineered in the USA.

HARMAN

Harman Consumer, Inc.
8500 Balboa Blvd., Northridge, CA 91329 USA

www.jbl.com

© 2010 Harman International Industries, Incorporated. All rights reserved.
JBL is a trademark of Harman International Industries, Incorporated,
registered in the United States and/or other countries.

Part No. CS1215BOM 5/10

