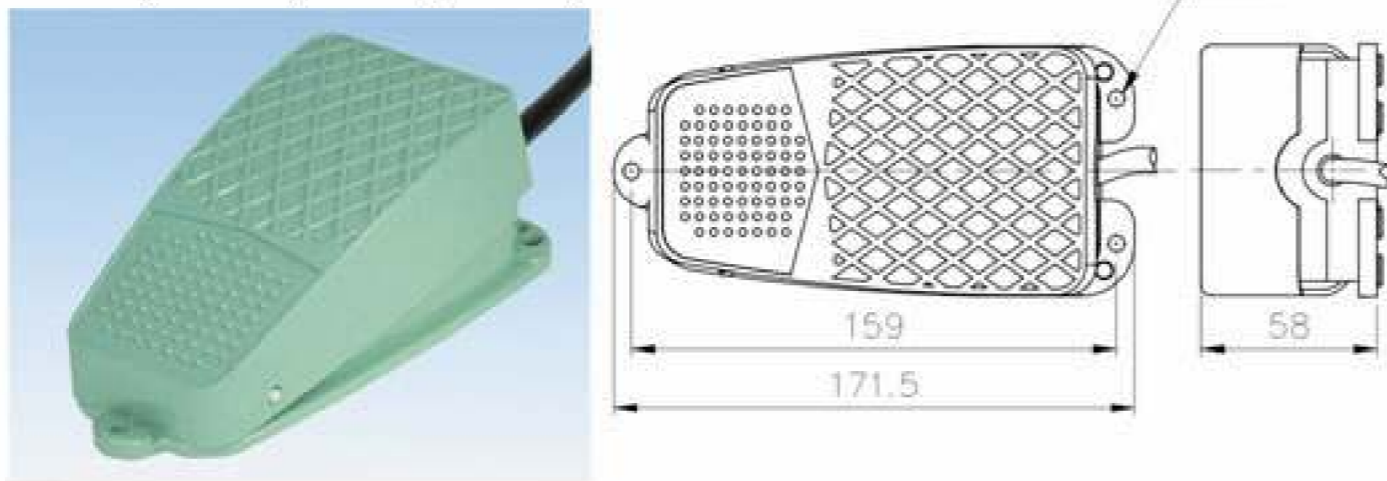


# FOOT SWITCH

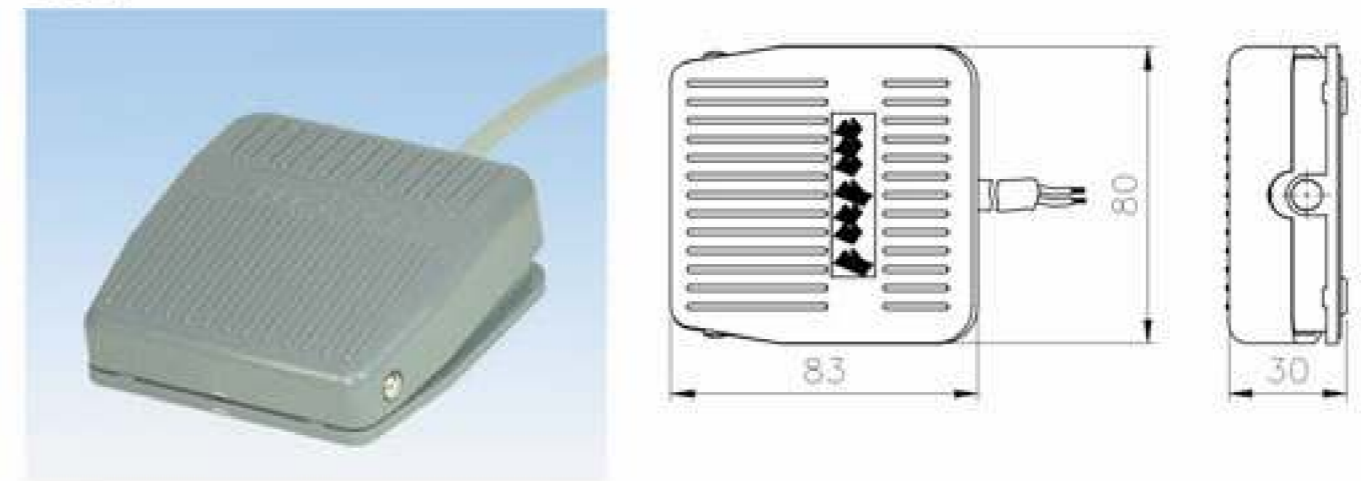
## FEATURES

Designation	Type	Rating	Type of Switch Enclosed & contact Arrangement	Cable Type/Length	Contact	Actuation Force	Material of Rind	
Standard Type Momentary Action	101	10A 250VAC	TMV-10 Micro-Switch Momentary	0.75mm <sup>2</sup> ,3C/0.5m~3m	1A1B	3.5kg	Plastics Aluminium cast	
	102	15A 250VAC	TM1704	0.75mm <sup>2</sup> ,3C/1.5m~2m	1A1B	3.5kg		
	103	10A 250VAC	TMV-10 Micro-Switch Momentary 2pcs.	0.75mm <sup>2</sup> ,6C/1m2m	2A2B	3.5kg		
	104	15A 250VAC	TM-1704 * 2	0.75mm <sup>2</sup> ,6C/1m2m	2A2B	3.5gk		
Standard Type Alternate Action	105	6A 250VAC	TS-105 Push Button Switch Alternate Action	0.75mm <sup>2</sup> ,2C/1m, 1.5m2m	PUSH ON PUSH OFF	3.5kg	Plastics and Aluminium cast	
	106	6A 250VAC	Imported Micro-Switch		0.75mm <sup>2</sup> ,3C/1m	PUSH 1A PUSH 1B		3.5kg
Mini Foot Switch Front End Push	201	10A 250VAC	TMV-10 Micro-Switch Momentary	0.5mm <sup>2</sup> ,3c/1m~3m	1A1B	1kg		Plastics
Front End Push with Metal Mounting Plate	202	10A 250VAC			1A1B	1kg		
Mini Foot Switch	203	10A 250VAC			1A1B	1kg		
Protective Guard Foot Switch	302	15A 250VAC	TM 1704	Accessory:Cable gland(No Cable)	1A1B	3.5kg		Plastics and Aluminium cast
	304	15A 250VAC	TM 1704 * 2		2A2B	3.5kg		
	305	6A 250VAC	TS-105 Push Button Switch Alternate Action		PUSH ON PUSH OFF	3.5kg		
	306	6A 250VAC	Imported Micro-Switch		PUSH 2A PUSH 2B	3.5gk		
Large Type	402	15A 250VAC	TM 1704		1A1B	3.5kg		
	404	15A 250VAC	TM 1704 * 2		2A2B	3.5kg		
	405	6A 250VAC	TS-105 Push Button Switch Alternate Action		PUSH ON PUSH OFF	3.5kg		
	406	6A 250VAC	Imported Micro-Switch		PUSH 2A PUSH 2B	3.5kg		
Full Shield	502	15A 250VAC	TM 1704	1A1B	3kg	Aluminium cast		
	602	15A 250VAC	TM 1704 * 2	2A2B	3.2kg			

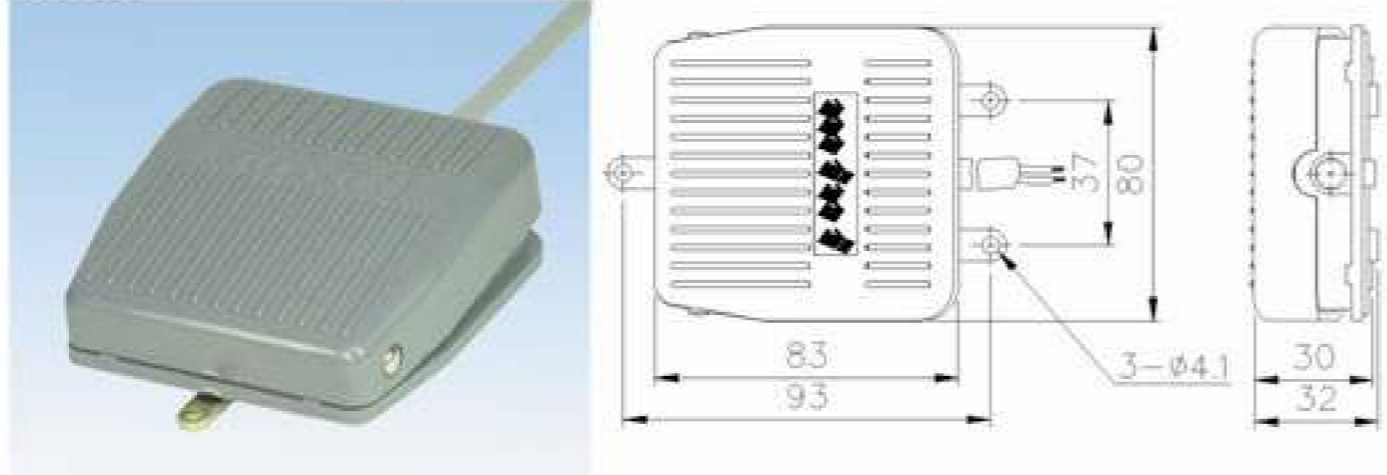
101,102,104,105,106



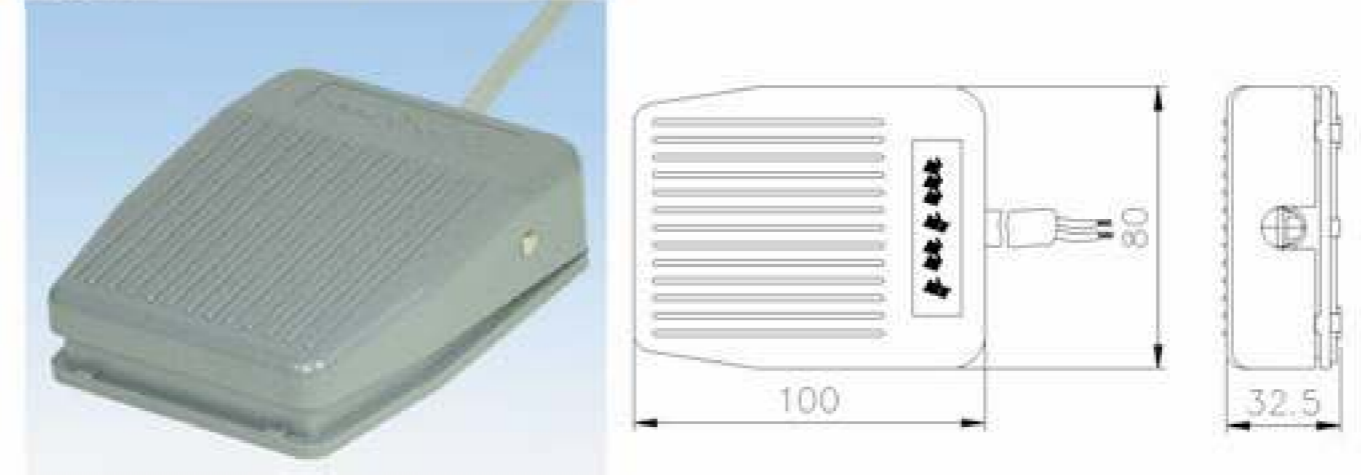
201



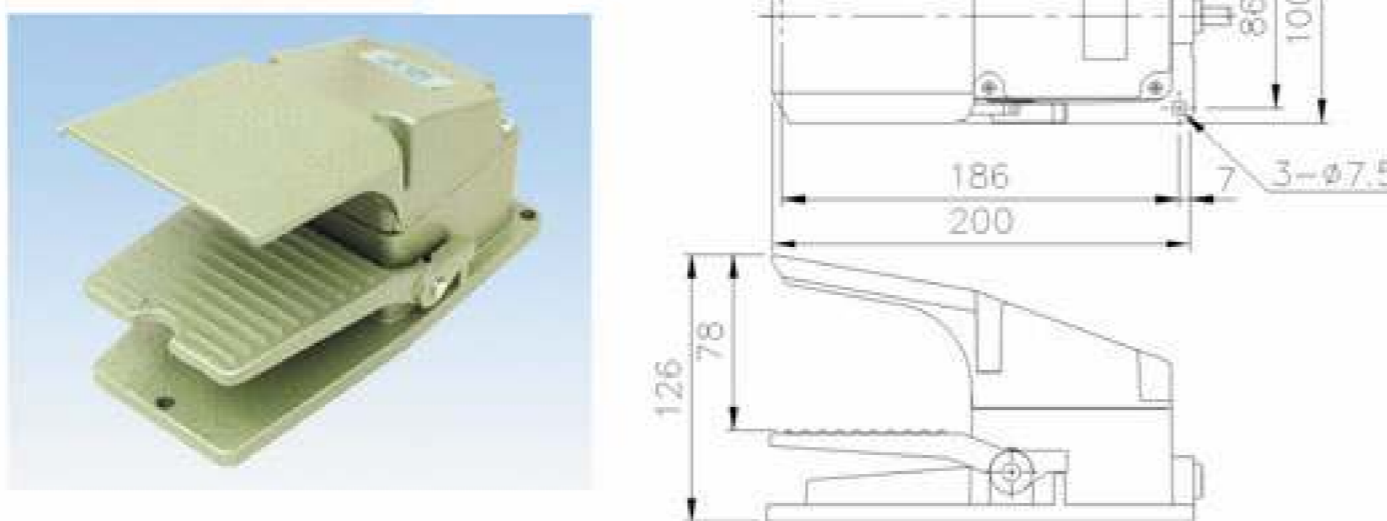
202



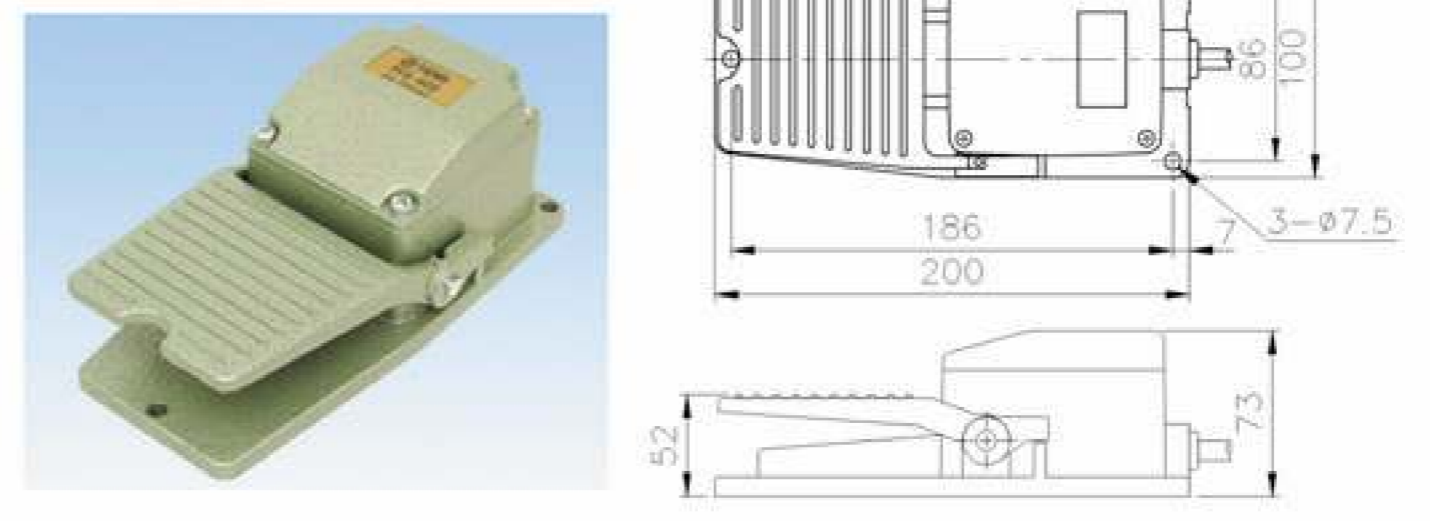
203



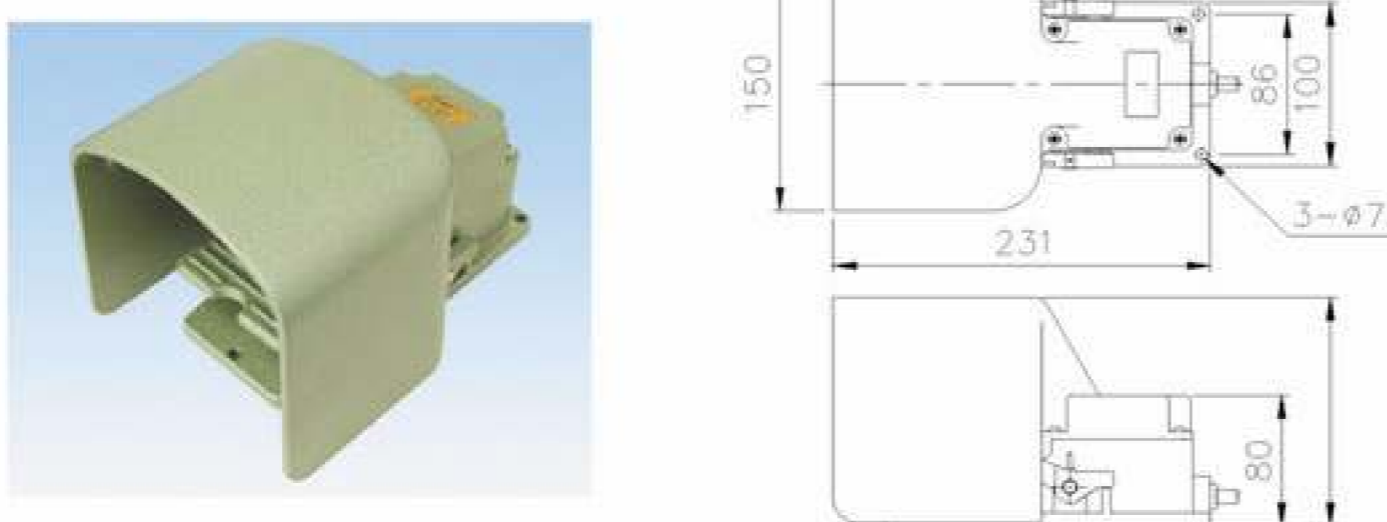
302,304,305,306



402



502



602

