

4000W SCR Motor Controller



This is a 4000W Thyristor SCR Voltage Regulator Temperature Dimmer for Speed / Light (AC 220V). 4000W Thyristor SCR Voltage Regulator is SCR Dimmer which can be used to control 220V Appliances. It can be used as a light dimmer, fan speed controller, stove temperature controller. It is easy and simple to use and can control appliances up to 4000W

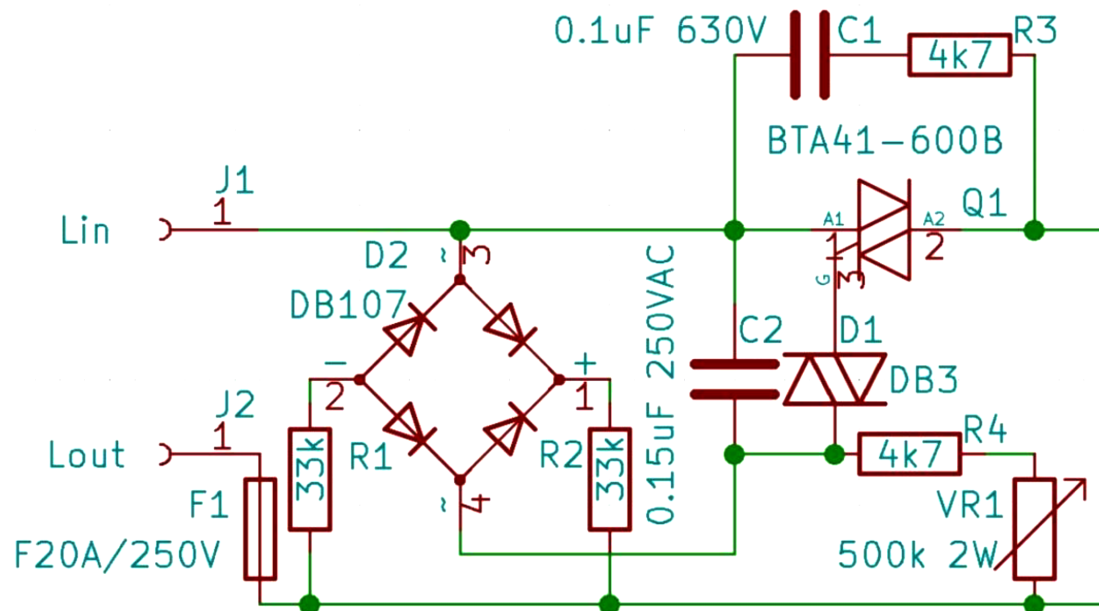
SPECIFICATIONS:

- Input Voltage: AC 220V
- Maximum Power: 4000W
- Adjustable Voltage: AC 0V-220V
- Frequency Range: 50Hz ~ 60Hz
- Length (mm): 58
- Width (mm): 85
- Height (mm): 40
- Weight (gm): 123

INSTRUCTIONS:

Connect AC supply at the input of the module and appliance at the output of the module, then rotate the knob for dimming, speed, voltage, temperature control

SCHEMATIC DIAGRAM:



APPLICATIONS:

- Electric furnace, water heater, lamps, small motor, electric iron, etc.
- can apply to the use of new two-way high-power thyristor; As the current up to 40A, a good solution to the heating wire resistance in the case of cooling is too small to cause over-current problems; can easily adjust the electricity.
- The output voltage between 0 – 220 volts any adjustment for the use of electrical appliances.
- Such as furnace, water heaters, heat transfer, light dimming, small motor speed, electric iron thermostat, and so on.
- So as to achieve dimming, thermostats, pressure effect. Less than 4000 watts of electrical power for large-scale electrical power have been using as much; so the home appliances

in general, sufficient, or small factories. (Inductive or capacitive load power should be reduced, the voltage regulator is equipped with the two-way high-power thyristor, potentiometers are with nuts, do not add any components to use, very convenient and practical.)

PACKAGE INCLUDES:

1 x 4000W High-Power Thyristor Electronic Regulator, Dimming Speed Regulation, with Shell