

GT-BassPro12

powered automotive subwoofer



OWNER'S MANUAL

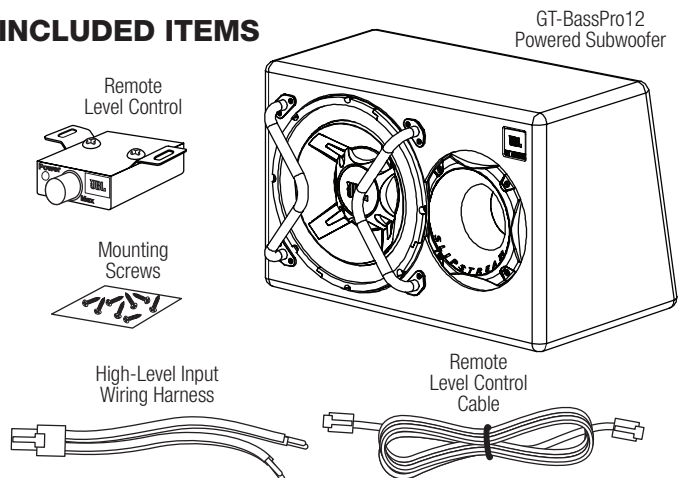
INTRODUCTION

Thank you for choosing the JBL® GT-BassPro12 powered automotive subwoofer. The GT-BassPro12 has been designed to deliver great bass performance from a compact, easily installed powered subwoofer enclosure.

To get the best performance from your GT-BassPro12, we strongly recommend that installation be entrusted to a qualified professional. Although these instructions explain how to install the GT-BassPro12 in a general sense, they do not show specific installation methods that may be required for your particular vehicle. If you do not have the necessary tools or experience, do not attempt the installation yourself. Instead, please ask your authorized JBL car audio dealer about professional installation.

In order that we may better serve you should you require warranty service, please retain your original sales receipt and register your GT-BassPro12 online at www.jbl.com.

INCLUDED ITEMS



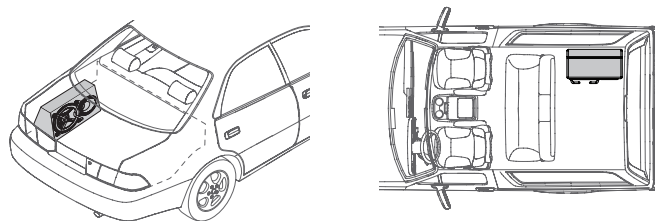
INSTALLING THE SUBWOOFER

INSTALLATION WARNINGS AND TIPS

- Always wear protective eyewear when using tools.
- Disconnect the vehicle's negative (-) battery terminal before starting the installation.
- Check clearances on both sides of a planned mounting surface. Be sure that screws or wires will not puncture brake lines, fuel lines or wiring harnesses, and that wire routing will not interfere with the safe operation of the vehicle.
- When making electrical connections, make sure they are secure and properly insulated.
- If you must replace the GT-BassPro12's fuse, be sure to use the same type of fuse and current rating as that of the original.

MOUNTING THE SUBWOOFER

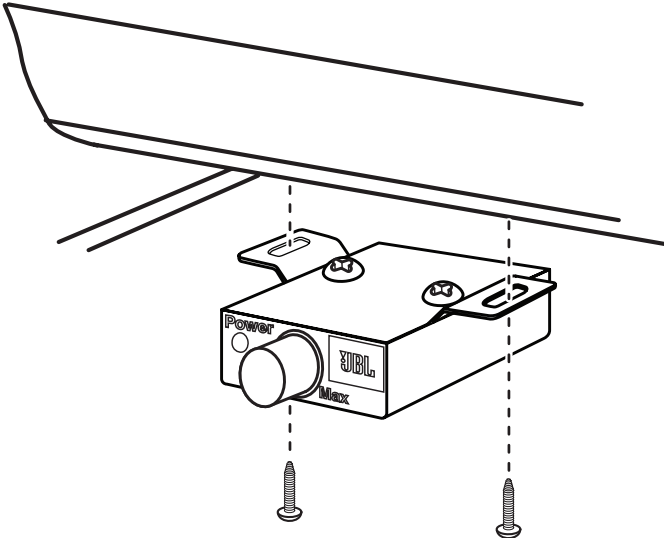
Choose a location for the subwoofer that doesn't interfere with cargo, a fold-down rear seat or the trunk lid. The best location is usually a corner of the trunk or cargo area, as shown in the illustrations. Choose a mounting location in the front of the vehicle for the remote level control.



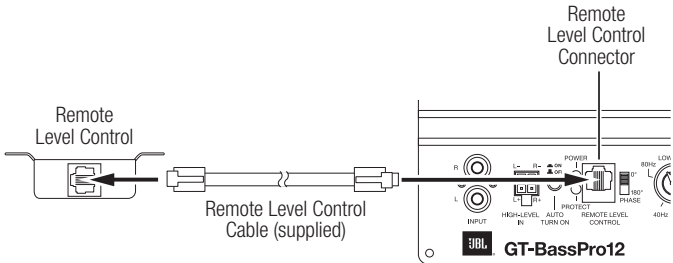
MOUNTING THE REMOTE LEVEL CONTROL

You may mount the remote level control under the dashboard or inside the glove box or console.

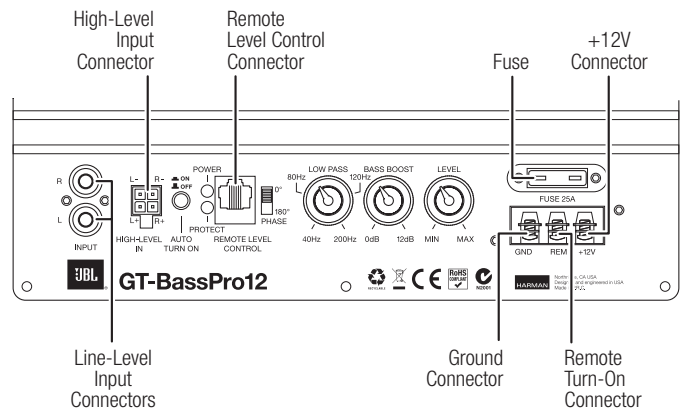
Select a mounting location that allows easy access to the remote level control while driving. Using the level control itself as a template, mark and drill holes in the mounting surface. Attach the level control using two of the provided mounting screws.



Route the supplied remote level control cable behind the dashboard or other interior panels and under the carpet. Do not route the cable outside the vehicle. Connect the cable between the GT-BassPro12's Remote Level Control connector and the connector on the remote level control.



CONNECTIONS

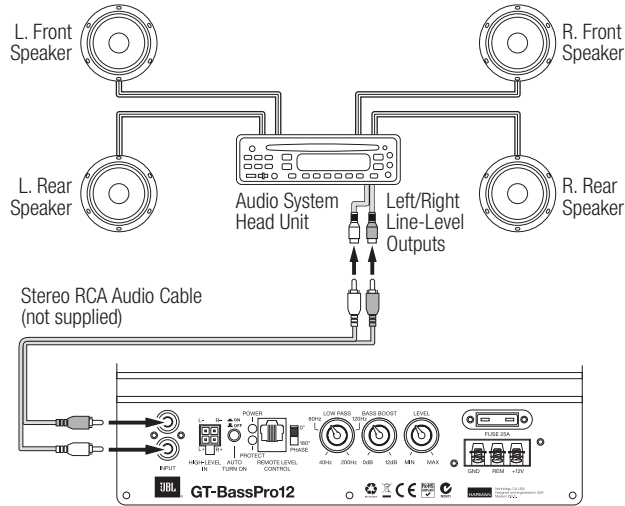


CONNECTING THE SUBWOOFER TO YOUR VEHICLE'S AUDIO SYSTEM

The JBL GT-BassPro12 is equipped with two line-level (RCA) input connectors and a high-level input connector. Consult the following system application diagrams to help you plan the installation of your GT-BassPro12. For additional installation suggestions, contact your local authorized JBL car audio dealer.

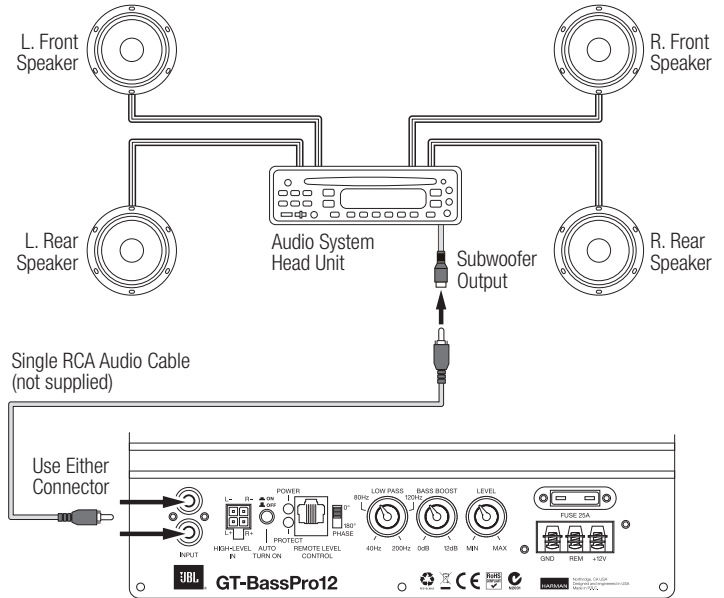
If your car audio system's head unit has front or rear stereo line-level outputs:

Use a stereo RCA audio cable (not supplied) to connect the GT-BassPro12's line-level input connectors to the head unit's front or rear left and right line-level outputs.



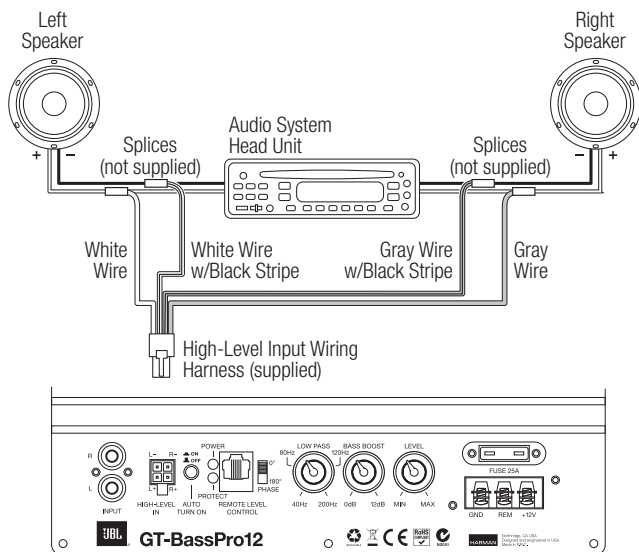
If your car audio system's head unit has a line-level subwoofer output:

If the head unit has a line-level subwoofer output, you can connect it to either of the GT-BassPro12's line-level input connectors.



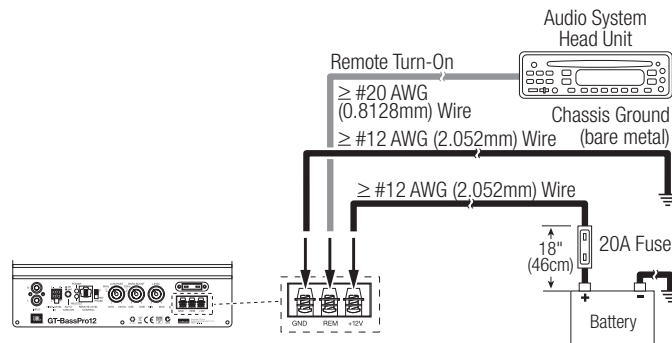
If your car audio system's head unit does not have line-level outputs:

Connect the GT-BassPro12's high-level inputs to either the front or the rear speaker outputs of your car audio system's head unit (splice crimps not included). Make sure to connect the car audio system's "+" speaker wires to the "+" wires on the GT-BassPro12's high-level input wiring harness (the gray and white leads without stripes); connect the car audio system's "-" speaker wires to the "-" wires on the GT-BassPro12's high-level input wiring harness (the leads with black stripes). Use least #20 AWG (0.8128mm) speaker wire for speaker-level input connections.



CONNECTING THE POWER AND GROUND

Use at least #12 AWG (2.052mm) wire for the positive battery (" +12V") and ground ("GND") connections. Connect the GT-BassPro12's " +12V" terminal directly to the battery's "+" (positive) terminal. Install a fuse holder with a 20A fuse within 18" (46cm) of the battery's "+" terminal.



Route all power wires through grommets in the vehicle's firewall. If factory grommets are not available, install grommets yourself. Connect a short ground wire from the GT-BassPro12's ground terminal to the nearest bare metal surface on the vehicle. For a good connection, use sandpaper to clear the paint from the metal surface and use a screw with a lock (star) washer.

REMOTE TURN-ON CONNECTION

When using the line-level input connections, the GT-BassPro12 requires a +5V to +12V DC signal at the Remote (REM) connector to turn on. Most head units with preamp outputs provide a remote turn-on wire that supplies this remote voltage signal. (As an alternative, you can connect the REM terminal to a switched ignition circuit.) Use at least #20 AWG (0.8128mm) wire for the remote turn-on connection.

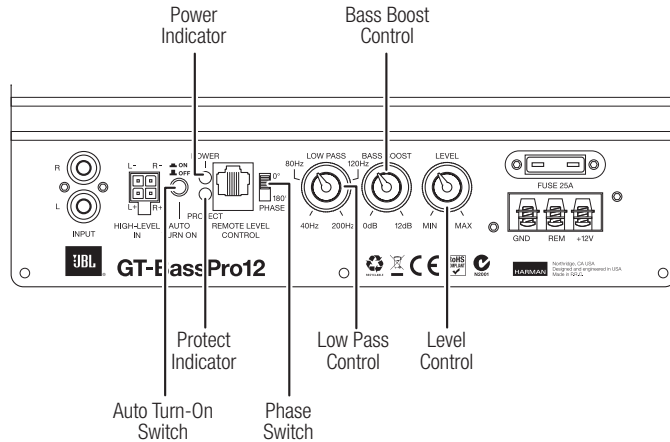
NOTE: The remote turn-on connection is not needed when using the high-level input connections. See *Auto Turn-On switch*, on this page.

USING THE SUBWOOFER

WARNING: Playing loud music in an automobile can hinder your ability to hear traffic and permanently damage your hearing. We recommend listening at low or moderate levels while driving your car. We accept no liability for hearing loss, bodily injury or property damage resulting from the use or misuse of this product.

CONTROLS AND FUNCTIONS

The JBL GT-BassPro12's control panel features controls and indicators that make it easy for you to integrate the subwoofer's sound with almost any vehicle's unique acoustic properties.



Power indicator: This LED will glow green when the JBL GT-BassPro12 is operating.

Auto Turn-On switch: If you connected your GT-BassPro12 using the high-level connectors and did not connect the Remote Turn-On connector, set the Auto Turn-On switch to the "On" position (in). If you did connect the Remote Turn-On connector, set the Auto Turn-On switch to the "Off" position (out).

Protect indicator: This indicator will light up (and the subwoofer will stop operating) to indicate the following conditions:

- Battery voltage too high/too low
- Subwoofer amplifier over temperature
- Short-circuit in the subwoofer driver or wiring

Correct the condition before attempting to use the subwoofer again.

Phase switch: This switch will reverse the phase of the GT-BassPro12's output with respect to its input. When you install the GT-BassPro12 with an existing factory or aftermarket system, changing the Phase switch setting to reverse the subwoofer's phase may produce a discernable increase or decrease in the amount of upper bass that the system reproduces, depending on the GT-BassPro12's location in the vehicle and the distance between it and the other speakers in the vehicle.

Level control: Use this control to balance the relative volume of the GT-BassPro12 with the other speakers in the vehicle.

Low Pass control: Use this control to adjust the amount of high-frequency information present in the GT-BassPro12's output. A lower value allows less high-frequency content.

Bass Boost control: Use this control to increase the amount of low bass output from the GT-BassPro12. The Bass Boost control provides up to 12dB of boost at 45Hz.

SETTING THE CONTROLS

1. Make sure the head-unit power is off and the GT-BassPro12's Level control is set to minimum.
2. Set the GT-BassPro12's Low Pass control to its maximum frequency of 120Hz and set the Bass Boost control to the 12 o'clock setting.

NOTE: If you are using the Remote Level control, set it to maximum.

3. Turn the head unit on and play a selection of your favorite music track that has substantial bass.
4. Adjust the Low Pass control counterclockwise until you hear only bass information coming from the GT-BassPro12. For example, you should not hear vocals coming from the subwoofer when you are seated in the normal listening position.
5. Adjust the Bass Boost control either clockwise or counterclockwise to suit your taste. Be sure to find a setting that does not create audible distortion in the subwoofer's sound.
- 6a. If you installed the remote level control, set the subwoofer's Level control to its maximum and set the remote level control's knob to the maximum level that provides undistorted output from the GT-BassPro12 with the head unit's volume control at its 3 o'clock setting. Use the remote level control to adjust the subwoofer volume according to your taste while avoiding distortion from the GT-BassPro12.
- 6b. If you did not install the remote level control, adjust the subwoofer's Level control to the maximum level that provides undistorted output from the GT-BassPro12 with the head unit's volume control at its 3 o'clock setting. After using the subwoofer for a while, if you find that this setting produces too much bass, you can reduce the subwoofer's Level control setting.

7. With the Phase switch set at 0°, play a music track that has impactful drums, and listen for the upper bass content, paying attention to the impact of the drums. Then set the Phase switch to 180°, and listen to the same music again. There may be more upper bass, less upper bass or no change at all. The Phase switch position that provides the most upper bass is technically correct, but you can choose either setting according to your taste.

NOTE: In most cases the above steps will provide you with satisfactory results. However, the actual process may require several readjustments of each control, since the settings will interact with one another. If necessary, consult your authorized JBL car audio dealer for help in tuning your system.

SPECIFICATIONS

Amplifier power:	150 watts RMS; 450 watts max power
Frequency response:	35Hz – 120Hz
Fuse rating:	25A
Max current draw:	13.5A
Idle current draw:	<500mA
Input sensitivity:	50mV – 4V (line-level input); 0.4V – 16V (speaker-level input)
Crossover frequency:	70Hz – 120Hz
Crossover slope:	12dB
Dimensions (W x H x D):	22-7/16" x 14-1/2" x 12" (570mm x 369mm x 305mm)
Weight:	38.6 lb (17.5kg)

TROUBLESHOOTING

If your subwoofer isn't performing the way you think it should, check to see if the problem is covered in this section before calling your dealer or contacting JBL customer service.

Problem	Causes and Solutions
Power indicator is not lit.	<ol style="list-style-type: none">1. +12V wire fuse or subwoofer fuse is blown and needs replacement.2. Head unit not functioning properly.3. Check remote turn-on, +12V and GND connections.
Power indicator is lit, but there is no bass.	<ol style="list-style-type: none">1. Inputs are not properly connected. Check connections.2. Head-unit fader controls are not set properly. Adjust head-unit controls to feed audio signals to the subwoofer.3. Incorrect subwoofer Level control setting.
Output sounds muddy or distorted.	<ol style="list-style-type: none">1. Subwoofer Level control is set too high.2. Subwoofer Bass Boost control is set too high.3. Bass level is set too high on head unit.4. Head-unit output is distorted or blown. See your authorized JBL car audio dealer.
Output gets louder when the head-unit balance is adjusted to L or R.	Using speaker-level input connections: One of the speaker-level input connections is reversed (+/-). Reverse one channel.



HARMAN HARMAN Consumer, Inc.
8500 Balboa Boulevard, Northridge, CA 91329 USA

© 2011 HARMAN International Industries, Incorporated. All rights reserved.

JBL and BassPro are trademarks of HARMAN International Industries, Incorporated, registered in the United States and/or other countries.

Features, specifications and appearance are subject to change without notice.

Part No. 950-0368-001